

**North Star**<sup>®</sup>  
WATER CONDITIONING

***Ultra* COMPUTERIZED DEMAND**

**Standard Flow Valve  
AUTOMATIC WATER CONDITIONER**

**MODELS NSC30UD & NST30UD**

**Installation**

**Operation**

**Maintenance**

**Repair Parts**

Systems Tested and Certified by NSF International  
against NSF/ANSI Standard 44 for softener performance.



**IF YOU HAVE QUESTIONS WHEN INSTALLING, OPERATING AND MAINTAINING YOUR  
CONDITIONER, OR WHEN SETTING THE TIMER**

**CALL TOLL FREE**

**1 - 800 - 972 - 0135**

**IN CANADA CALL**

**1 - 800 - 796 - 6784**



## WATER CONDITIONER WARRANTY

Warrantor: North Star Water Conditioning, 1890 Woodlane Drive, Woodbury, MN, 55125

Warrantor guarantees, to the original owner, that:

### One Year Full Warranty:

For a period of one (1) year after installation, all parts will be free of defects in materials and workmanship, and will perform their normal functions.

For a period of one (1) year after installation, labor to repair or replace any part deemed to be defective in materials and workmanship, will be provided at no additional cost.

### Limited Warranties:

Limited ten (10) year warranty, from date of purchase, the salt tank and fiberglass mineral tank will not rust, corrode, leak, burst, or in any other manner, fail to perform their proper functions.

Limited three (3) year warranty, after installation, the electronic control board will be free of defects in materials and workmanship, and will perform their normal functions.

If, during such respective period, a part proves to be defective, Warrantor will ship a replacement part, directly to your home, without charge. After the first year, labor necessary to maintain this product is not covered by the product warranty.

### General Conditions

Damage to any part of this water conditioner because of misuse, misapplication, neglect, alteration, accident, installation or operation contrary to our printed instructions, or damage caused by any unusual force of nature such as, but not limited to, freezing, flood, hurricane, tornado, or earthquake is not covered by this warranty. In all such cases, regular parts and service charges will apply.

We assume no warranty liability in connection with this water conditioner other than specified herein. This warranty is in lieu of all other warranties, expressed or implied, including warranties of fitness for a particular purpose. We do not authorize any person or representative to assume for us any other obligations on the sale of this water conditioner.

Should a defect or malfunction occur, contact your contractor. If you are unable to contact your contractor, return the part, freight prepaid, directly to the factory at the address below. Enclose with the part a full description of the problem, with your name, full address, date purchased, model and serial numbers, and selling contractor's name and address. We will repair or replace the part and return it to you at no cost if our repair department determines it to be defective under the terms of the warranty.

This warranty gives you specific legal rights and you may have other rights which vary from state to state.

This water conditioner is manufactured by North Star Water conditioning, PO Box 64310, St. Paul, MN 55164-4310; customer information telephone no. 1-800-972-0135.



## SAFETY GUIDES

FOLLOW THE INSTALLATION INSTRUCTIONS CAREFULLY. FAILURE TO INSTALL THE SOFTENER PROPERLY VOIDS THE WARRANTY.

BEFORE YOU BEGIN INSTALLATION, READ THIS ENTIRE MANUAL. THEN, OBTAIN ALL THE MATERIALS AND TOOLS YOU WILL NEED TO MAKE THE INSTALLATION.

**CHECK LOCAL PLUMBING AND ELECTRICAL CODES. THE INSTALLATION MUST CONFORM TO THEM.** CODES IN THE STATE OF MASSACHUSETTS REQUIRE INSTALLATION BY A LICENSED PLUMBER. FOR INSTALLATION, USE PLUMBING CODE 248-CMR OF THE COMMONWEALTH OF MASSACHUSETTS.

**USE ONLY LEAD-FREE SOLDER AND FLUX** FOR ALL SWEAT-SOLDER CONNECTIONS, AS REQUIRED BY STATE AND FEDERAL CODES.

USE CARE WHEN HANDLING THE SOFTENER. DO NOT TURN UPSIDE DOWN, DROP, OR SET ON SHARP PROTRUSIONS.

DO NOT LOCATE THE SOFTENER WHERE FREEZING TEMPERATURES OCCUR. DO NOT ATTEMPT TO TREAT WATER OVER 120°F. **FREEZING, OR HOT WATER DAMAGE VOIDS THE WARRANTY.**

AVOID INSTALLING IN DIRECT SUNLIGHT. EXCESSIVE SUN HEAT MAY CAUSE DISTORTION OR OTHER DAMAGE TO NON-METALLIC PARTS.

THE SOFTENER REQUIRES A MINIMUM WATER FLOW OF 3 GALLONS PER MINUTE AT THE INLET. **MAXIMUM ALLOWABLE INLET WATER PRESSURE IS 125 PSI.** IF DAYTIME PRESSURE IS OVER 80 PSI, NIGHTTIME PRESSURE MAY EXCEED THE MAXIMUM. USE A PRESSURE REDUCING VALVE IF NECESSARY. ( ADDING A PRESSURE REDUCING VALVE MAY REDUCE THE FLOW.)

**THE SOFTENER WORKS ON 24 VOLT-60 Hz ELECTRICAL POWER ONLY.** BE SURE TO USE THE INCLUDED TRANSFORMER AND PLUG IT INTO A NOMINAL 120V, 60 CYCLE HOUSEHOLD OUTLET THAT IS GROUNDED AND PROPERLY PROTECTED BY AN OVER CURRENT DEVICE SUCH AS A CIRCUIT BREAKER OR FUSE. IF TRANSFORMER IS REPLACED, USE ONLY THE AUTHORIZED SERVICE, CLASS II, 24 VOLT, 10 VA TRANSFORMER.

THIS SOFTENER IS NOT INTENDED TO BE USED FOR TREATING WATER THAT IS MICROBIOLOGICALLY UNSAFE OR OF UNKNOWN QUALITY WITHOUT ADEQUATE DISINFECTION BEFORE OR AFTER THE SOFTENER.



EUROPEAN DIRECTIVE 2002/96/EC REQUIRES ALL ELECTRICAL AND ELECTRONIC EQUIPMENT TO BE DISPOSED OF ACCORDING TO WASTE ELECTRICAL AND ELECTRONIC EQUIPMENT (WEEE) REQUIREMENTS. THIS DIRECTIVE OR SIMILAR LAWS ARE IN PLACE NATIONALLY AND CAN VARY FROM REGION TO REGION. PLEASE REFER TO YOUR STATE AND LOCAL LAWS FOR PROPER DISPOSAL OF THIS EQUIPMENT.

## UNPACKING / INSPECTION

The softener is shipped in one master carton. The softener is completely assembled at the factory, except as required at installation.

Be sure to check the entire softener for any shipping damage or parts loss. Also note damage to the shipping cartons. Contact the transportation company

for all damage and loss claims. The manufacturer is not responsible for damages in transit.

Small parts, needed to install the softener, are on a skin packed cardboard piece. To avoid loss of the small parts, keep them on the skin pack until you are ready to use them.

## TABLE OF CONTENTS

|   | <b>PAGE NO.</b> |
|---|-----------------|
| WARRANTY, SAFETY GUIDES .....                                   | 2               |
| SPECIFICATIONS, DIMENSIONS .....                                | 4               |
| BEFORE STARTING INSTALLATION .....                              | 5               |
| TYPICAL INSTALLATION ILLUSTRATION .....                         | 6               |
| INSTALLATION STEPS .....  | 7 - 9           |
| PROGRAMMING THE <i>Ultra</i> DEMAND TIMER .....                 | 10 - 11         |
| SANITIZING PROCEDURES .....                                     | 11              |
| WATER AND WATER CONDITIONING .....                              | 12 - 13         |
| HOW THE WATER SOFTENER WORKS .....                              | 13 - 14         |
| GENERAL WATER SOFTENER MAINTENANCE .....                        | 15 - 16         |
| <i>Ultra</i> DEMAND TIMER FEATURES, SETTINGS, AND SERVICE ..... | 17 -            |
| AUTOMATIC ELECTRONIC DIAGNOSTICS .....                          | 21              |
| ELECTRONIC SYSTEM PROFILE .....                                 | 21              |
| HOW TO SEND AN ESP TRANSMISSION .....                           | 22              |
| SERVICE CHECKOUT PROCEDURES, WIRING SCHEMATIC .....             | 23 - 24         |
| WATER FLOW THROUGH VALVE .....                                  | 25              |
| REPAIR PARTS .....  | 26 - 29         |
| PARTS RETURN TAGS .....   | 32              |

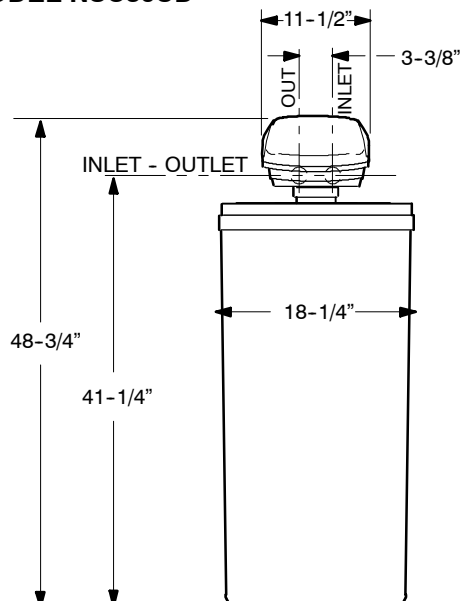
## DESIGN SPECIFICATIONS / DIMENSIONS

|  | MODELS NSC30UD & NST30UD                      |
|--|---|
| RATED CAPACITY (grains @ lbs salt dose)          | 11,800 @ 2.3<br>25,300 @ 7.4<br>30,200 @ 12.5 |
| RATED EFFICIENCY (grains / lb @ lbs salt dose) ● | 5120 @ 2.3                                    |
| AMOUNT OF HIGH CAPACITY RESIN (lbs / cu ft)      | 40.6 / .78                                    |
| RESIN TANK NOMINAL SIZE (in., dia x height)      | 8 x 40  |
| SERVICE FLOW RATE (gpm)                          | 7.5   |
| PRESSURE DROP AT RATED SERVICE FLOW (psig)       | 14  |
| INTERMITTENT FLOW RATE @ 15 psi (gpm) ▲          | 7.9   |
| WATER SUPPLY MAXIMUM HARDNESS (gpg)              | 90  |
| WATER SUPPLY MAX. CLEAR WATER IRON (ppm) ■       | 8   |
| WATER PRESSURE LIMITS (min. / max. psi) ◆        | 20 - 125                                      |
| WATER TEMPERATURE LIMITS (Min./Max. °F)          | 40 - 120                                      |
| WATER SUPPLY MINIMUM FLOW RATE (gpm)             | 3   |
| REGENERATION CYCLE FLOW RATES (gpm)              |   |
| FILL (flow to brine tank)                        | .3  |
| BRINING  | .15   |
| BRINE RINSE                                      | .10   |
| MAX. BACKWASH                                    | 2.0   |
| MAX. FAST RINSE                                  | 2.0   |

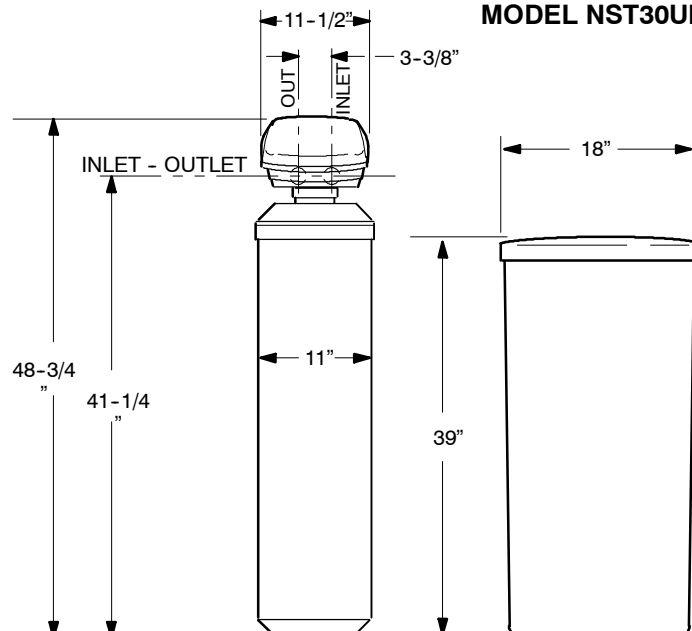
- Efficiency rating is valid only at the low salt dose. These softeners were efficiency rated according to NSF/ANSI 44.
- ▲ Intermittent flow rate does not represent the maximum service flow rate used for determining the softeners rated capacity and efficiency. Continuous operation at flow rates greater than the service flow rate may affect capacity and efficiency performance.
- Capacity to reduce clear water iron is substantiated by WQA test data. State of Wisconsin requires additional treatment if water supply contains greater than 5 ppm clear water iron.
- ◆ Canada working pressure limits: 1.4 - 7.0 kg/cm<sup>2</sup>.

These softeners conform to NSF/ANSI 44 for the specific capacity claims as verified and substantiated by test data.

### MODEL NSC30UD



### MODEL NST30UD



## BEFORE STARTING INSTALLATION

### ► WHERE TO INSTALL THE SOFTENER

- Place the softener as close as possible to the pressure tank (well system) or water meter (city water).
- Place the softener as close as possible to a floor drain, or other acceptable drain point (laundry tub, sump, standpipe, etc.).
- Connect the softener to the main water supply pipe BEFORE or AHEAD OF the water heater. **DO NOT RUN HOT WATER THROUGH THE SOFTENER.** Temperature of water passing through the softener must be less than 120°F (49°C).
- Keep outside faucets on hard water to save soft water and salt.
- Do not install the softener in a place where it could freeze. **Damage caused by freezing is not covered by the warranty.**
- Put the softener in a place water damage is least likely to occur if a leak develops. The manufacturer will not repair or pay for water damage.
- A 120 volt electric outlet, to plug the included transformer into, is needed within 10 feet of the softener. The transformer has an attached 10 foot power cable. **Be sure the electric outlet and transformer are in an inside location, to protect from wet weather.**
- If installing in an outside location, you must take the steps necessary to assure the softener, installation plumbing, wiring, etc., are as well protected from the elements, contamination, vandalism, etc., as when installed indoors.
- **Keep the softener out of direct sunlight.** The sun's heat may soften and distort plastic parts.

### ► TOOLS, PIPE and FITTINGS, OTHER MATERIALS YOU WILL NEED

■ In and out pipes to the softener must be at least 3/4" size. Some local codes require a minimum of 1" pipe size. *To plumb with 1" pipes, buy adaptors to fit the 1" pipe threads on the installation adaptors or bypass valve (see page 6).*

■ Use copper, brass, or galvanized pipe and fittings. Some codes may also allow CPVC plastic pipe.

■ ALWAYS install a bypass valve or valves. Either use the optional valve (included with some models), or 3 shut-off valves. Bypass valves let you turn off

water to the softener, but still have water in the house pipes.

■ Drain hose (3/8" or 7/16" inside diameter) is needed for valve and salt tank drains. You can buy good quality, thick-wall, flexible hose at most hardware stores or supply houses.

■ If a rigid valve drain is needed, to comply with plumbing codes, you can buy the parts needed (see page 8) to connect a 1/2 in. copper tubing drain.

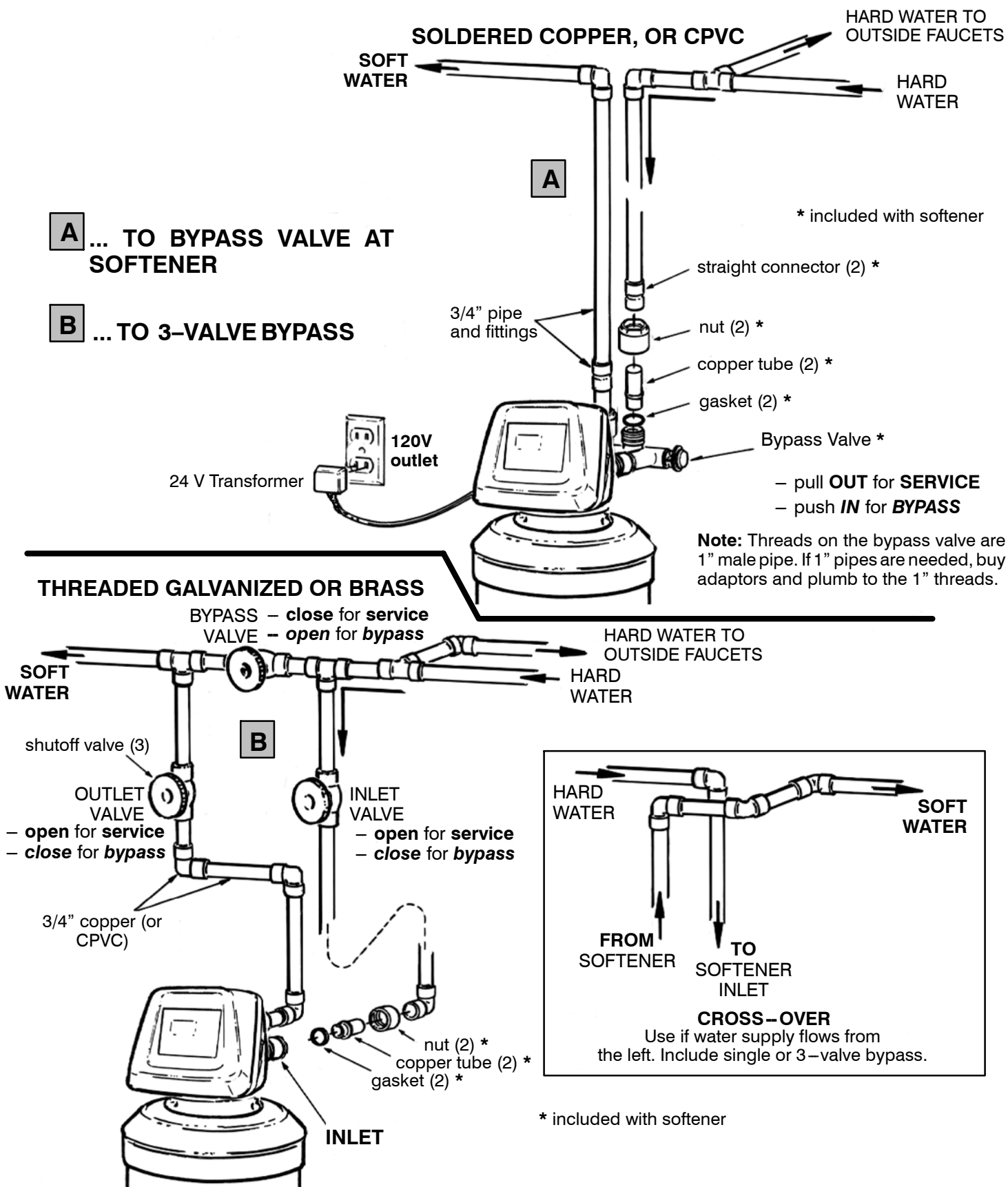
■ Nugget or pellet water softener salt is needed to fill the brine tank (see page 9 and 15).

### ► PLAN HOW YOU WILL INSTALL THE SOFTENER

You must first decide how to run in and out pipes to the softener. Look at the house main water pipe at the point where you will connect the softener. Is the pipe soldered copper, glued plastic, or threaded galvanized? What is the pipe size?

Now look at the typical installation illustration on page 6. Use it as a guide when planning your particular installation. **Be sure to direct raw, hard water to the softener valve inlet fitting.** The valve is marked IN and OUT.

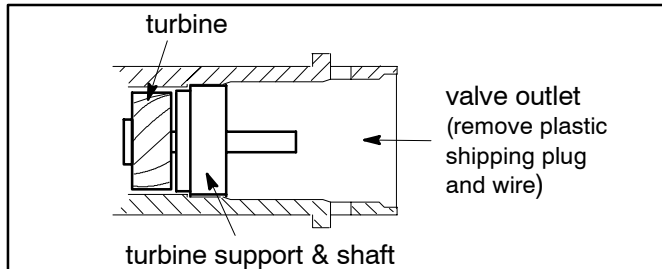
## TYPICAL INSTALLATION ILLUSTRATION



## INSTALLATION STEPS

### 1. INSTALL BYPASS VALVE:

**NOTE:** be sure the turbine and support are firmly in place, in the valve outlet. Blow into the valve port and observe the turbine for free rotation.



- ▶ Push the bypass valve (lubricate o-ring seals) into both ports of the valve...figures 1A and 1C.
- ▶ Snap the two large plastic clips in place, from the top, down...figures 1A and 1B. **Be sure they snap into place. Pull on the adaptors, or bypass valve, to make sure they held securely in place.**

### 2. INSTALL THE BRINE TANK OVERFLOW FITTINGS:

- ▶ Insert the rubber grommet into the 3/4" diameter hole in the brine tank sidewall...see page 9.
- ▶ Push the barbed end of the hose adaptor elbow into the grommet.

### 3. MOVE THE SOFTENER ASSEMBLY (CABINET MODEL), OR RESIN TANK (TWO TANK MODEL) INTO INSTALLATION POSITION:

- ▶ Be sure the installation surface is level and smooth. If needed, place the tank on a section of 3/4" thick (min.) plywood. Then, place shims under the plywood as needed to level the softener.

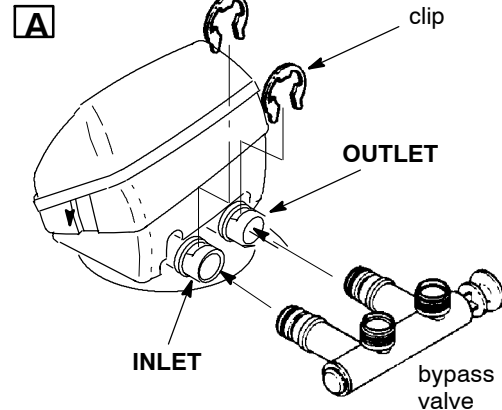
### 4. PLUMB IN AND OUT PIPES TO AND FROM SOFTENER:

**CAUTIONS:** Observe all of the following cautions as you connect inlet and outlet plumbing.

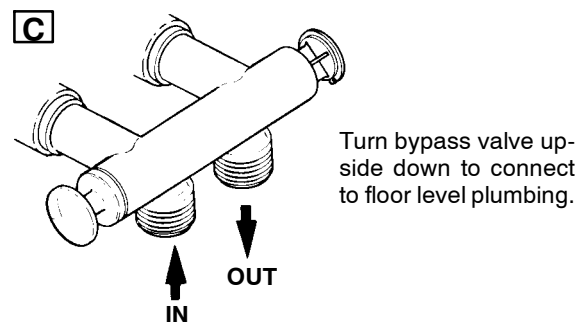
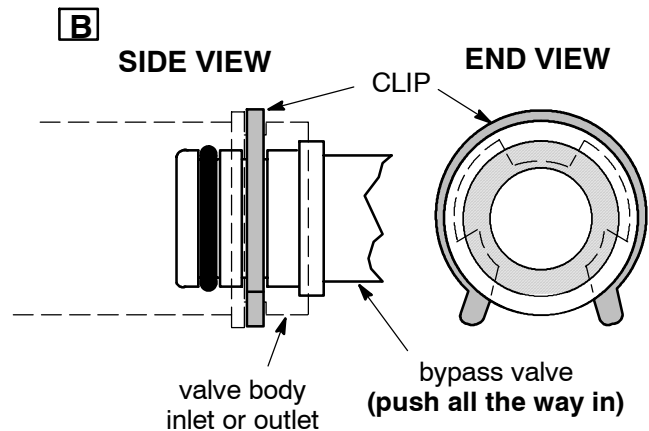
- ▶ Turn off the house water supply valve and open faucets to relieve pressure in the pipes.
- ▶ BE SURE RAW, **HARD WATER** IS DIRECTED TO THE VALVE INLET PORT.
- ▶ Be sure to use bypass valve(s).

**NOTE:** CHECK LOCAL PLUMBING AND ELECTRICAL CODES. THE INSTALLATION MUST CONFORM TO THEM. In Massachusetts, plumbing codes of Massachusetts shall be adhered to. Consult with your licensed plumber.

FIGURE 1



**Note:** Threads on the bypass valve are 1" male pipe. If 1" pipes are needed, buy adaptors and plumb to the 1" threads.



continued

## INSTALLATION STEPS, continued

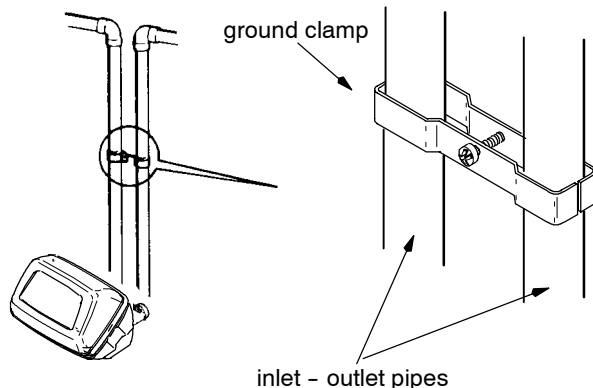
- ▶ If making a soldered copper installation, **do all sweat soldering before connecting pipes to the softener fittings.** Torch heat will damage plastic parts.
- ▶ Put grounding clamps (see step 5) on copper tubes before soldering.
- ▶ When turning threaded pipe fittings onto plastic fittings, use care not to cross-thread.
- ▶ Use pipe joint compound on all external pipe threads.
- ▶ Support inlet and outlet plumbing in some manner (use pipe hangers) to keep the weight off of the valve fittings.

### 5. INSTALL GROUNDING CLAMPS AND WIRE (IF NEEDED):

- ▶ To maintain electrical ground continuity in the house cold water piping, install the included ground clamps as shown. Be sure the pipes are clean, under the clamps, to assure good contact.

NOTE: A 3-valve bypass system maintains ground continuity.

FIGURE 2

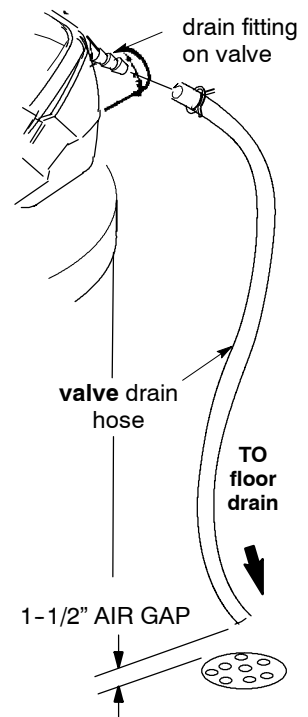


### 6. CONNECT AND RUN THE VALVE DRAIN HOSE:

- ▶ Take a length of 3/8" or 7/16" inside diameter hose and attach to the valve drain fitting. So water pressure does not blow the hose off, use a hose clamp to secure in place.
- ▶ Locate the other end of the hose at a suitable drain point...floor drain, sump, laundry tub, etc. **Check and comply with local codes.**

IMPORTANT: Use high quality, thick-wall hose that will not easily kink or collapse. *The water softener will not work if water cannot exit this hose during regenerations.*

- ▶ Tie or wire the hose in place at the drain point. Water pressure will cause it to whip during the backwash and fast rinse cycles of regeneration. Also provide an air gap of at least 1-1/2" between the end of the hose and the drain point. An air gap prevents possible siphoning of sewer water, into the softener, if the sewer should "back-up".

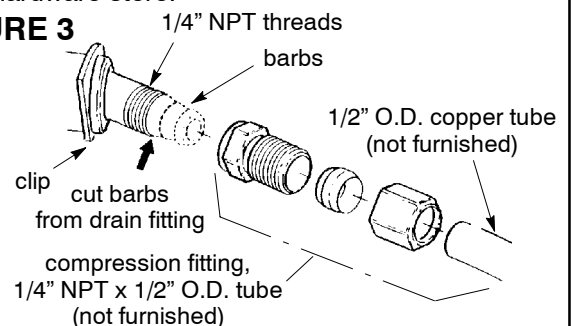


- ▶ If raising the drain hose overhead is required to get to the drain point, **do not raise higher than 8' above the floor.** Elevating the hose may cause a back-pressure that could reduce brine draw during regenerations.

### CONNECTING A RIGID VALVE DRAIN TUBE

To adapt a copper drain tube to the softener, use a hacksaw to cut the barbed end from the drain fitting as shown. Buy a compression fitting (1/4" female pipe thread x 1/2" O.D. tube) and needed tubing from your local hardware store.

FIGURE 3



### 7. CONNECT AND RUN THE BRINE TANK OVERFLOW HOSE (see Figure 4):

NOTE: Move the brine tank (two tank model) into installation location, next to the resin tank.

- ▶ Attach a length of 3/8" or 7/16" I.D. hose to the drain elbow, installed in step 2, page 7. Use a hose clamp to hold it in place.
- ▶ Locate the other end of the hose at the drain point. **DO NOT ELEVATE THIS HOSE HIGHER THAN THE ELBOW ON THE BRINE TANK. DO NOT TEE THIS HOSE TO THE VALVE DRAIN HOSE.**

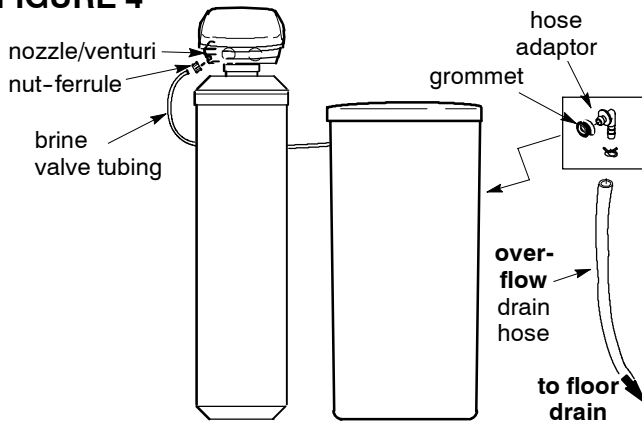
## INSTALLATION STEPS, continued

NOTE: This drain is for safety only. If the brine tank should over-fill with water, the excess is carried to the drain.

### 8. ON TWO TANK MODELS, CONNECT BRINE TUBING:

► Route the brine tubing out, through the largest hole in the brine tank sidewall. Connect the tubing to the nozzle housing, as shown in Figure 4, using a nut-ferrule. Tighten the nut, by hand only.

FIGURE 4



### 9. FLUSH PIPES, EXPEL AIR FROM SOFTENER, AND TEST YOUR INSTALLATION FOR WATER LEAKS:

**CAUTION: To avoid water or air pressure damage to softener inner parts, be sure to do the following steps exactly as listed.**

- A. Fully open two cold, **soft** water faucets nearby the softener.
- B. Place bypass valve(s) in “bypass” position. On a single valve, slide the stem into BYPASS. On a 3-valve system, close the inlet and outlet valves, and open the bypass valve...see page 6.
- C. Fully open the house main water pipe shutoff valve. Observe a steady flow from both opened faucets.
- D. Place bypass valve(s) in “service”, **EXACTLY** as follows. **KEEP SOFT WATER FAUCETS OPEN.**
  1. SINGLE BYPASS VALVE: **SLOWLY**, slide the valve stem toward “service”, pausing several times to allow the softener to pressurize slowly.
  2. 3-VALVE BYPASS: Fully close the bypass valve and open the outlet valve. **SLOWLY**, open the inlet valve, pausing several times to allow the softener to pressurize slowly.

E. **After about three minutes, open a HOT water faucet** for one minute, or until all air is expelled, then close.

F. Close both cold water faucets.

G. Check your plumbing work for leaks and fix right away, if any are found. **BE SURE TO OBSERVE PREVIOUS CAUTION NOTES.**

H. Turn on the gas or electric supply to the water heater. Light the pilot, if applicable.

### 10. ADD WATER AND SALT TO THE BRINE TANK:

► Remove the salt storage area cover. Add about three gallons of water into the tank. **DO NOT ADD INTO THE BRINEWELL.**

► Fill the tank with NUGGET, PELLET or coarse SOLAR water softener salt. **Do not use** rock, block, granulated, and ice cream making salts. Also see page 15. Maximum salt storage capacity is 200 lbs. For best results, North Star recommends Morton® System Saver® Pellets for use in this water softener.

Note: If the softener is installed in a humid basement or other damp area, it is better to fill the tank with less salt, more frequently (see salt bridging in the maintenance section). Eighty to 100 lbs of salt will last for several months, depending on water hardness, family size, and model of softener.

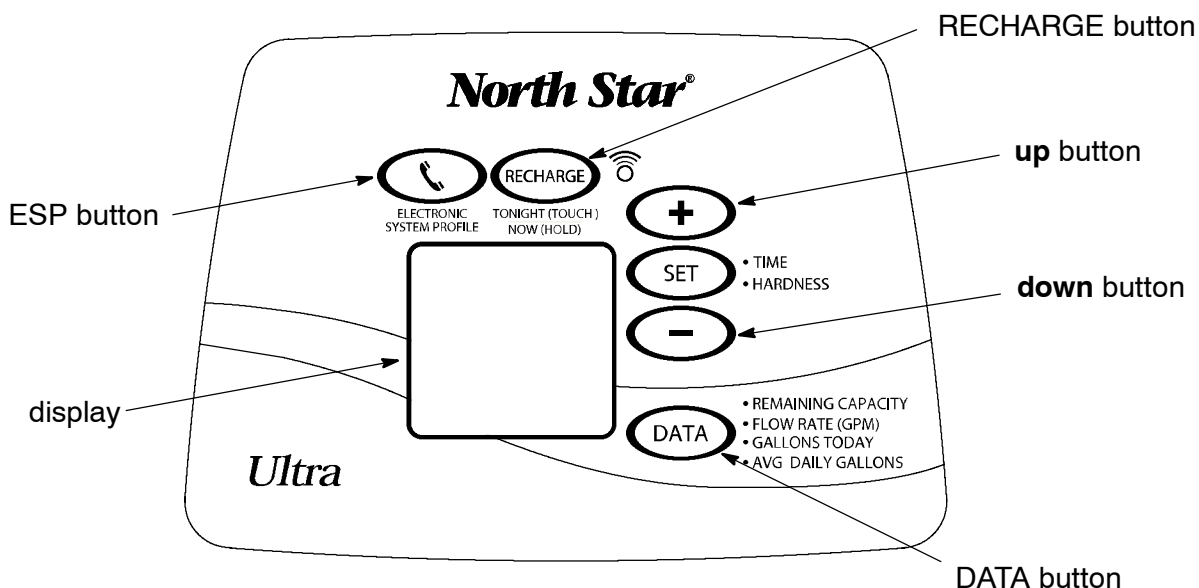
### 11. CONNECT TO ELECTRICAL POWER:

► The softener works on 120 volt, 60 Hz electric power. The included transformer changes standard 120 volt AC house power to 24 volts. **Plug the transformer into a 120 volt outlet only.** Be sure the outlet is always “live” so it can not be switched off by mistake.

Plug the transformer into the electrical outlet.

### 12. PROGRAM THE *Ultra* DEMAND TIMER...see page 10.

## PROGRAMMING THE *Ultra* DEMAND TIMER



► **TIMER SETTINGS REQUIRED**...upon installation, and after an extended power outage (see Program Memory, page 18).

**NOTES:**

- WHEN THE TRANSFORMER IS PLUGGED INTO THE ELECTRICAL OUTLET (STEP 11, PAGE 9), **12:00AM** (flashing), and **PRESENT TIME** show in the upper display area. Program the timer as instructed below. **If A - - - is flashing**, please see Model Code setting on page 20.
- A “beeper” sounds while pressing buttons for timer programming. One beep signals a change in the timer display. Repeated beeps means the timer will not accept a change from the button or arrow you have pressed, and you should use another.
- To program the timer, you will use the SET, UP or DOWN buttons.

► **SET PRESENT TIME OF DAY** .....

NOTE: If the words PRESENT TIME do not show in the display, press the SET button until they do.

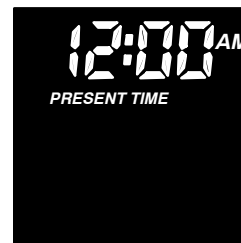
1. Press the SET *button*, *up* or *down* arrow to set. The up arrow moves the display ahead; the down arrow moves the time backward. ....

NOTE: Each press of a SET *button* arrow changes the time by one minute. Holding the arrows in changes the time 32 minutes each second.

2. When the present time shows, press SET to apply.

If the present time is between noon and midnight, be sure PM shows.

If the present time is between midnight and noon, be sure AM shows.



continued

## PROGRAMMING THE *Ultra* DEMAND TIMER

### ► SET WATER HARDNESS NUMBER .....

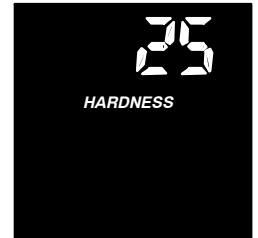
NOTE: If 25 (factory default) and HARDNESS do not show in the display, press the SET button until they do.

1. Press the SET *button, up or down arrow* to set your water hardness number in the display. The down arrow moves the display down to 1. The up arrow moves the display up to 95, 110, or 120, depending on the model code. ....

NOTE: Each press of a SET *button arrow* changes the display by 1 between 1 and 25. Above 25, the display changes 5 at a time ... 25, 30, 35, etc. Holding an arrow in changes the numbers twice each second.

2. When your water hardness number shows, press SET to apply.

You can get the grains per gallon (gpg) hardness of your water supply from a water analysis laboratory, or call and ask your local water department, if you are on a municipal supply.



The special *features* of your timer are explained on pages 17, 18, 19 and 20.

## TO COMPLETE THE INSTALLATION, DO THE SANITIZING BELOW.

### SANITIZING PROCEDURES

Care is taken at the factory to keep your water softener clean and sanitary. Materials used to make the softener will not infect or contaminate your water supply, and will not cause bacteria to form or grow. However, during shipping, storage, installing and operating, bacteria could get into the softener. For this reason, sanitizing as follows is suggested<sup>①</sup> when installing.

1. Be sure to complete all installation steps, including timer programming.

2. Pour about 3/4 oz of common 5.25% household

bleach (Clorox, Linco, Bo Peep, White Sail, Eagle, etc.) **into the brinewell** (Figure 4, page 9).

3. Use the REGENERATE, OR RECHARGE, NOW feature, on the timer, to start an immediate regeneration. The bleach is drawn into and through the water softener to sanitize it. This sanitizing regeneration is over in about two hours. Then, **soft water** is available for your use.

<sup>①</sup> NOTE: Sanitizing is recommended by the Water Quality Association for disinfecting. On some water supplies, they suggest periodic sanitizing.

NOTE: When the above sanitizing regeneration is over, all remaining bleach is flushed from the conditioner and your house COLD water supply is fully soft immediately. However, **your water heater is filled with hard water** and, as hot water is used, it will refill with soft water. When all the hard water is replaced, in the water heater, hot only, and mixed hot and cold water will be fully soft. If you want totally soft water immediately, after the above regeneration, drain the water heater until the water runs cold. **If you do drain the water heater, use extreme care as the hot water could cause severe burns.**

## WATER AND WATER CONDITIONING

### WATER

Man's very existence depends on water. It is one of the basic commodities of life. Water is best as nature provides it, is a common misconception. Practically all natural water needs refinement or treatment to make it safe to drink or more satisfactory to use.

The earth's water supply cycle starts in the upper cloud layers. As it falls to the earth as rain or snow, it picks up impurities and gases from the atmosphere. Landing on earth, it seeps over and through the ground, dissolving earth minerals. Passing through limestone, it dissolves calcium and magnesium, the hardness minerals. Iron deposits impart iron to the water. Acidity and sediments are other water conditions.

### WATER CONDITIONING

Water conditioning is the treatment of four general conditions. These are: *Hardness, Iron, Acidity, Sediments.*

**HARDNESS** is a term to describe the presence of calcium and magnesium minerals in water. A chemical analysis accurately measures the amount of minerals in grain weight. For example, one gallon of water with five grains per gallon (gpg) hardness has dissolved minerals, that if solidified, about equals the size of one ordinary aspirin tablet. One gallon of water, 25 gpg hard, has a mineral content equal in size to five aspirin tablets. Water hardness varies greatly across the country. It generally contains from 3 to 100 gpg.

Hard water affects living in general. Hardness minerals combine with soap to make a soap curd. The curd greatly reduces the cleaning action of soap. Precipitated hardness minerals form a crust on cooking utensils, appliances, and plumbing fixtures. Even the tastes of foods are affected. A water softener removes the hardness minerals to eliminate these problems, and others.

Sodium Information: Water softeners using sodium chloride (salt) for regeneration add sodium to the water. Persons on sodium restricted diets should consider the added sodium as part of their overall intake.

Municipal water supplies come from surface reservoirs, such as lakes and rivers, or from underground reservoirs. Usually, municipalities chlorinate the water to make it safe to drink. Sediment is removed by filtration. Tastes and odors are reduced or eliminated. The water is conditioned to comply with certain specifications. However, hardness minerals, tastes and odors are not always reduced to the most desirable levels.

Underground reservoirs provide our private water supplies. Because the water is raw and untreated, it can have varying amounts of hardness, iron, tastes, odors, acidity, or combinations of these. Different localities and water levels affect mineral content.

**IRON** in water is measured in parts per million (ppm). The total\* ppm of iron, and type or types\*, is determined by chemical analysis. Four different types of iron in water are: ① Ferrous (clear water), ② Ferric (red water), ③ Bacterial and organically bound iron, ④ Colloidal and inorganically bound iron (ferrous or ferric).

\*Water may contain one or more of the four types of iron and any combination of these. Total iron is the sum of the contents.

① Ferrous (clear water) iron is soluble and dissolves in water. It is usually detected by taking a sample of water in a clear bottle or glass. Immediately after taking, the sample is clear. As the water sample stands, it gradually clouds and turns slightly yellow or brown as air oxidizes the iron. This usually occurs in 15 to 30 minutes. A water softener will remove moderate amounts of this type of iron (see specifications).

② Ferric (red water), and ③ Bacterial and organically bound irons are insoluble. This iron is visible immediately when drawn from a faucet because it has oxidized before reaching the home. It appears as small cloudy yellow, orange, or reddish suspended particles. After the water stands for a period of time, the particles settle to the bottom of the container. Generally these irons are removed from water by filtration. Chlorination is also recommended for bacterial iron.

continued

## WATER AND WATER CONDITIONING, continued

④ Colloidal and inorganically bound iron is of ferric or ferrous form that will not filter or exchange out of water. In some instances, treatment may improve colloidal iron water, but always CONSULT A QUALIFIED WATER CHEMISTRY LAB before attempting to treat it. Colloidal iron water usually has a yellow appearance when drawn. After standing for several hours, the color persists and the iron does not settle, but remains suspended in the water.

Iron in water causes stains on clothing and plumbing fixtures. It negatively affects the taste of food, drinking water, and other beverages.

**ACIDITY** or acid water is caused by carbon dioxide, hydrogen sulfide, and sometimes industrial wastes.

It is corrosive to plumbing, plumbing fixtures, water heaters, and other water using appliances. It can also damage and cause premature failure of seals, diaphragms, etc., in water handling equipment.

A chemical analysis is needed to measure the degree of acidity in water. This is called the pH of water. Water testing below 6.9 pH is acidic. The lower the pH reading, the greater the acidity. A neutralizer filter or a chemical feed pump are usually recommended to treat acid water.

**SEDIMENT** is fine, foreign material particles suspended in water. This material is most often clay or silt. Extreme amounts of sediment may give the water a cloudy appearance. A sediment filter normally corrects this condition.

## HOW THE WATER SOFTENER WORKS

### **SOFT WATER SERVICE, AND REGENERATION ...see illustrations, page 14 .....**

#### **SERVICE**

When the softener is providing soft water, it is called "Service". During service, hard water flows from the house main water pipe into the softener. Inside the softener resin tank is a bed made up of thousands of tiny, plastic resin beads. As hard water passes through the bed, each bead attracts and holds the hardness minerals. This is called ion-exchanging. It is much like a magnet attracting and holding metals. Water without the hardness minerals (soft water) flows from the softener and to the house pipes.

After a period of time, the resin beads become coated with hardness minerals and they have to be cleaned. This cleaning is called regeneration, or recharge. Regeneration is started at 2:00 a.m. (factory setting) by the softener timer, and consists of 5 stages or cycles. These are: FILL, BRINING, BRINE RINSE, BACKWASH, and FAST RINSE.

#### **REGENERATION**

● **FILL:** Salt, dissolved in water, is called brine. Brine is needed to clean the hardness minerals from the resin beads. To make the brine, water flows into the salt storage area during the fill stage as shown on page 14.

● **BRINING:** During brining, brine travels from the salt storage area, into the resin tank. Brine is the cleaning agent needed to remove the hardness minerals from the resin beads. The hardness minerals, and brine are discharged to the drain.

The nozzle and venturi create a suction to move the brine, maintaining a very slow rate to get the best resin cleaning with the least salt.

● **BRINE RINSE:** After a pre-measured amount of brine is used, the brine valve closes. Water continues to flow in the same path as during brining, except for the discontinued brine flow. Hardness minerals and brine flush from the resin tank, to the drain.

● **BACKWASH:** During backwash, water travels *up* through the resin tank at a fast flow rate, flushing accumulated iron, dirt, and sediments from the resin bed and to the drain.

● **FAST RINSE:** Backwash is followed by a fast flow of water *down* through the resin tank. The fast flow flushes brine from the bottom of the tank, and packs the resin bed.

After fast rinse, the softener returns to soft water service.

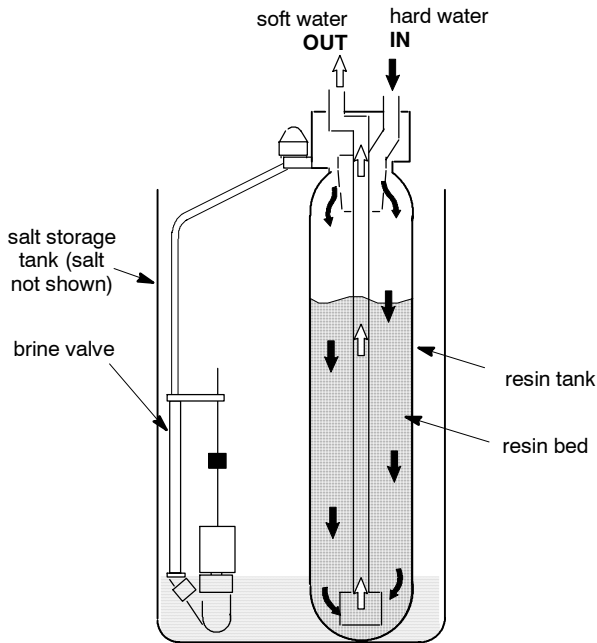
### **AUTOMATIC HARD WATER BYPASS DURING REGENERATION .....**

For emergency needs, **hard** water is available to the home during the regeneration cycles. However,

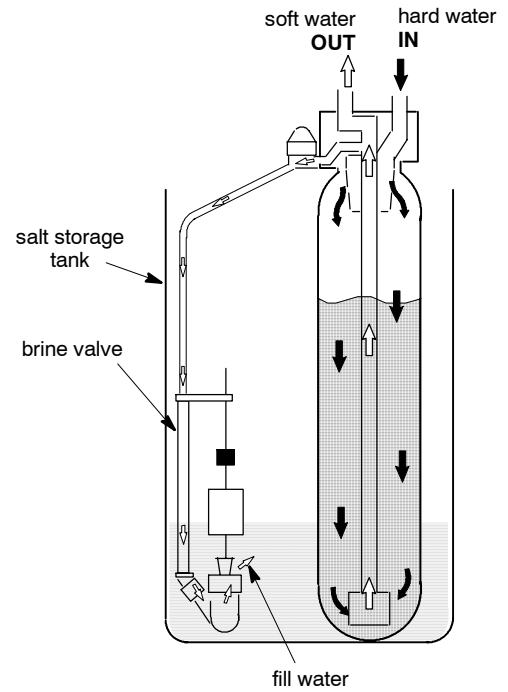
you should avoid using **HOT** water because the water heater will refill with the hard water.

## WATER FLOW THROUGH SOFTENER

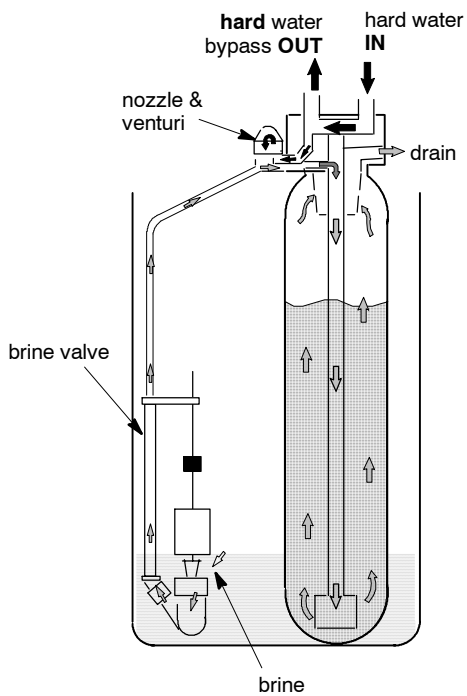
### SOFT WATER SERVICE



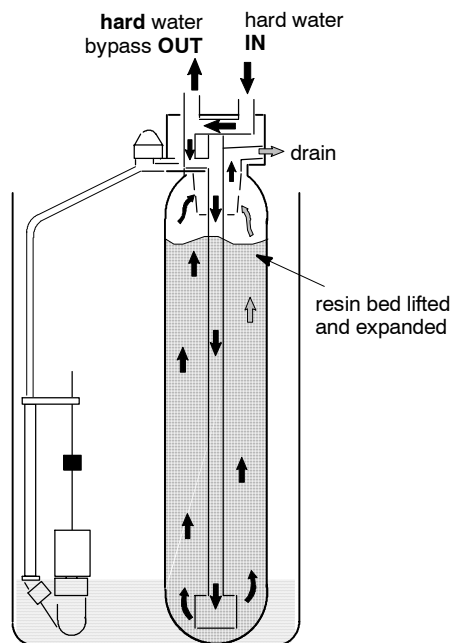
### FILL



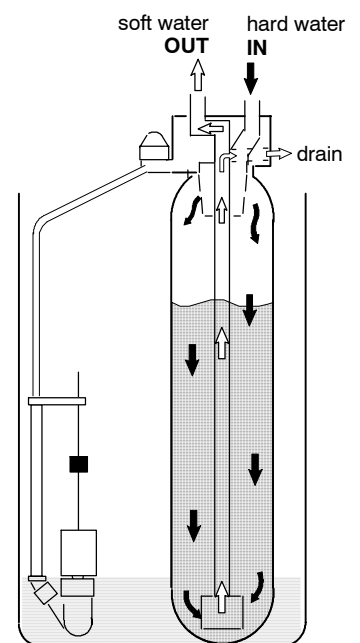
### BRINING / BRINE RINSE



### BACKWASH



### FAST RINSE



## GENERAL WATER SOFTENER MAINTENANCE

### CHECKING THE SALT STORAGE LEVEL, AND REFILLING .....

Brine (salt dissolved in water) is needed for each and every regeneration. The water for making brine is metered into the salt storage area by the softener valve and timer. However, you must keep the tank full of salt.

NOTE: In humid areas, it is best to fill with less salt, more often.

*WHEN TO ADD SALT: Check the salt level a few weeks after you install the softener and every week after that. Add when the brine tank is from 1/3 to 1/2*

*full. Never allow the softener to use all the salt before you refill it. Without salt, you will soon have hard water.*

Use clean water softener salts only, at least 99.5% pure. NUGGET, PELLET or coarse SOLAR salts are recommended. Do not use rock, block, granulated, and ice cream making salts. They contain dirt and sediments, or mush and cake, and will create maintenance problems. For best results, North Star recommends Morton® System Saver® Pellets for use in this water softener.

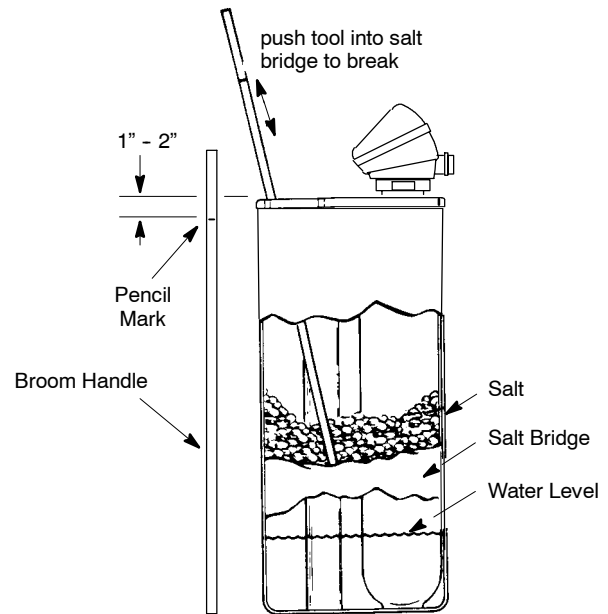
### BREAKING A SALT BRIDGE .....

Sometimes, a hard crust or salt bridge forms in the salt storage area. It is usually caused by high humidity or the wrong kind of salt. When the salt bridges, an empty space forms between the water and salt. Then salt will not dissolve in the water to make brine.

If the brine tank is full of salt, it is hard to tell if you have a salt bridge. Salt is loose on top, but the bridge is under it. The following is the best way to check for a salt bridge.

Salt should be loose all the way to the bottom of the tank. Take a broom handle, or like tool, and **carefully** push it down into the salt, working it up and down. If the tool strikes a hard object (be sure it's not the bottom or sides of the tank), it's most likely a salt bridge. Carefully break the bridge with the tool. DO NOT pound on the walls of the tank.

If the wrong kind of salt made the bridge, take it out. Then fill the tank with nugget or pellet salt only. For best results, North Star recommends Morton® System Saver® Pellets for use in this water softener.



### CLEANING IRON OUT OF THE WATER SOFTENER .....

Your water softener takes hardness minerals (calcium and magnesium) out of the water. Also, it can control some (see specifications, page 4) "clear water" iron. With clear water iron, water from a faucet is clear when first put into a glass. After 15 to 30 minutes, the water begins to cloud or turn rust colored. A water softener WILL NOT remove any iron that makes the water cloudy or rusty as it comes from the faucet (called red water iron). To take red water iron out of water, or over the maximum of clear water

iron, an iron filter or other equipment is needed. Your local dealer has trained people to help you with iron water problems.

If your water supply has clear water iron, periodic resin bed cleaning is needed. Clean the bed at least every six months, or more often if iron appears in the soft water between treatments. Follow directions on the resin bed cleaner container.

## GENERAL WATER SOFTENER MAINTENANCE, continued

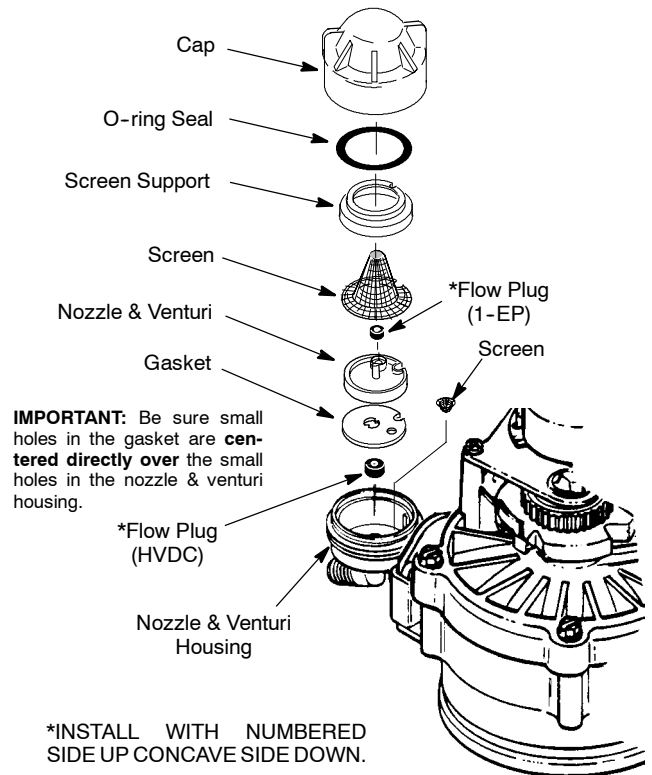
### CLEANING THE NOZZLE AND VENTURI ASSEMBLY .....

**A clean nozzle and venturi is needed for the softener to work right.** This small unit makes the suction to move brine from the salt storage area to the resin tank during regeneration. If it becomes plugged with sand, silt, dirt, etc., the softener will not work and you will get hard water.

To get to the nozzle and venturi, remove the softener top cover. Be sure the softener is in service cycle (no water pressure at nozzle and venturi). Then, while holding the nozzle & venturi housing with one hand, turn off the cap. Lift out the screen support and screen, then the nozzle and venturi. Wash and rinse the parts in warm water until clean. If needed, use a small brush to remove iron or dirt. Also check and clean the gasket.

**NOTE:** Some models have a small flow plug located in the nozzle and venturi, and/or a small cone shaped screen in the housing. Be sure to check and clean these parts, if your model is so equipped.

Carefully replace all parts in the correct order. Lubricate the o-ring seal with silicone grease and place in position. Install and tighten the cap, **BY HAND ONLY. DO NOT OVER TIGHTEN, WHICH MAY BREAK THE CAP OR HOUSING.**



## SERVICE CHECKLIST

### NO SOFT WATER

**No salt in storage tank:** See page 15 to refill, then start a regeneration, or recharge.

**Transformer unplugged at wall outlet, or disconnected from timer:** Reconnect to electrical power and start a regeneration, or recharge.

**Fuse blown, circuit breaker popped, or circuit mistakenly switched off:** Check and resolve as needed. Then, start a regeneration, or recharge.

**Plumbing bypass valve(s) in "bypass" position:** Refer to page 6 and position valve(s) as needed to direct soft water to house pipes. Then, start a regeneration, or recharge.

**Timer not programmed:** See page 10.

**Nozzle & venturi dirty, or salt in storage tank bridged:** See page 15 and above to clean. Then, start a regeneration, or recharge.

### WATER INTERMITTENTLY HARD

**Possible increase in water hardness:** See page 11.

**Hot water used when softener is regenerating:** The water heater will refill with hard water... see Automatic Hard Water Bypass During Regenerations, page 13.

**Leaking faucet or toilet valve:** A small leak will waste hundreds of gallons of water in just a few days. Fix all water leaks immediately.

## Ultra DEMAND TIMER FEATURES, SETTINGS, AND SERVICE

NOTE: SEE PAGE 10 TO SET THE TIMER TO THE CORRECT TIME OF DAY, AND WATER HARDNESS NUMBER.

### NORMAL OPERATION, TIMER DISPLAYS

During normal operation, the present time of day, and AM or PM, show in the time display area. When the demand computer determines a regeneration is needed, RECHARGE TONIGHT begins to flash in the display, along with the present time. RECHARGE TONIGHT flashes until the next



regeneration start time, then changes to RECHARGE NOW, which flashes until the regeneration is over. The display also shows the current cycle in the regeneration process. When the valve is in transition between cycles, both indicators flash.

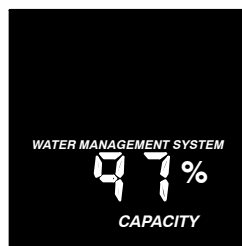


### feature: OTHER DATA DISPLAYS

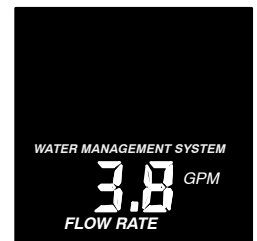
With repeated presses of the DATA button, you can scan through four displays of operational information. This data appears in the bottom portion of the display area. These are:

- DATA
- REMAINING CAPACITY
  - FLOW RATE (GPM)
  - GALLONS TODAY
  - AVG DAILY GALLONS

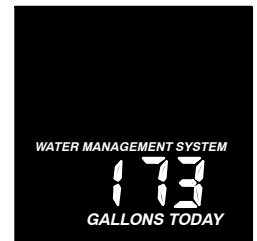
**CAPACITY** (remaining) - This is the percentage of water softening capacity remaining. Immediately after a regeneration, 100% shows. Then, as water is used, the percentage decreases until the next regeneration. During regenerations, the percentage increments upward.



**FLOW RATE, GPM\*** - When using soft water, this display shows the gallon per minute flow rate passing through the softener. Zero shows if water is not in use.

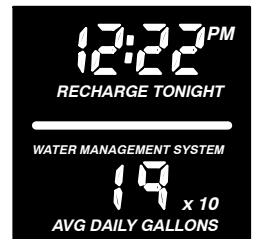


**GALLONS\* TODAY** - Each day, beginning at midnight, the timer keeps a running count of the total gallons of water passing through the softener.



NOTE: Zero (0%) shows until after the first regeneration begins, after connecting to electrical power.

**AVERAGE DAILY GALLONS\*** - The figure displayed is the average gallons of water used by the household each day, over the past seven day period.



\* If preferred, you can set the timer to show the reading in liters instead of gallons... see page 20. If gallons today, or average daily gallons exceeds 1999, a (x 10) indicator appears. This means you must multiply the number shown times 10.

### feature: OPTIONAL RECHARGE CONTROLS

Sometimes, a manually started regeneration (recharge) may be desired, or needed. Two examples are:

... You have used more water than usual (house guests, extra washing, etc.) and you may run out of soft water before the next regeneration.

... You did not refill the storage tank with salt before it was all gone.

Use one of the following features to start a regeneration immediately, or at the next preset regeneration start time.

continued

**Ultra DEMAND TIMER FEATURES, SETTINGS, AND SERVICE, continued**

**RECHARGE NOW**



Press and *hold* in the RECHARGE button *until RECHARGE NOW* starts to flash in the time display area. The softener begins an immediate regeneration, and when over in about two hours, you will have a new supply of soft water. Once started, you cannot cancel this regeneration.

**RECHARGE TONIGHT**



Touch (*do not hold*) the RECHARGE button, and **RECHARGE TONIGHT** flashes in the time display area. A regeneration will occur at the next preset regeneration start time. If you decide to cancel this regeneration, *before it has started*, touch the same button once more.

**VACATION NOTE** .....

The Ultra Demand water softener regenerates only while water is used and softening capacity must be restored. For this reason, the softener will not regenerate when you are away from home for extended periods.

**feature: PROGRAM MEMORY** .....

If electrical power to the softener is interrupted, the time display is blank, but the timer keeps correct time for about 24 hours. When power is restored, you have to reset the present time **only if** the display is flashing. **All** other settings are maintained and never require resetting unless a change is desired.

If the time *is* flashing after a long power outage, the softener continues to work as it should to provide you with soft water. However, regenerations may occur at the wrong time of day until you reset the timer to the correct time of day, page 10.

**setting: REGENERATION (STARTING) TIME, MAXIMUM DAYS BETWEEN REGENERATIONS, EFFICIENCY MODE, 97% FEATURE AND HEAVY DUTY BACKWASH** .....


NOTE: Each of these settings has a factory set default value. The defaults are: Regeneration start time - 2:00AM; Maximum days between regenerations - 0 (*display shows dY -*); Efficiency Mode - OFF; 97% Feature - OFF; Heavy duty backwash - OFF. The defaults suit most installations. However, depending on water supply quality, household peak water use hours, etc., adjustment is available to meet specific needs. To make a change, read and do the following.

continued

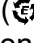
## Ultra DEMAND TIMER FEATURES, SETTINGS, AND SERVICE, continued

**REGENERATION (START) TIME:** At the 2:00AM regeneration start time, the softener begins regenerations at that time, ending no later than 4:00AM. This is a good time in most households because water is not in use (see Automatic Bypass on page 13). If a different time would be better for your needs, do steps 1, 2, 4, 6, 8 and 10 to change the starting hour.

**MAXIMUM DAYS BETWEEN REGENERATIONS:** The default setting allows the timer to control regeneration frequency based on water usage readings from the water meter. It provides the most economical operation. You can set a maximum time (in days) between regenerations. For example, no more than 3 days will pass without a regeneration occurring if you set dY 3 in the display. A 1 to 7 day setting is available. To make a change from the default setting, do steps 1, 2, 3, 4, 6, 8 and 10.

**EFFICIENCY MODE:** When this feature is ON, the unit will operate at salt efficiencies of 4000 grains of hardness per pound of salt or higher. (May recharge more often using smaller salt dosage and less water). When this is ON the efficiency icon  will show in the lower right hand corner of the display. To make a change from the default setting, do steps 1, 2, 4, 5, 6, 8 and 10.

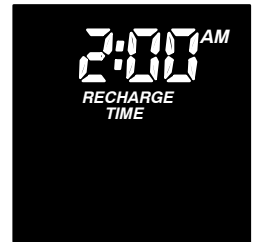
### CALIFORNIA EFFICIENCY REQUIREMENT

Your water softener has a “High Efficiency” feature with an “ON” or “OFF” setting. This softener setting is shipped in the “OFF” position, which utilizes the maximum rated capacity while most often achieving maximum salt efficiencies. When installing this unit in the State of California, you **MUST** turn this setting to the “ON” position which may initiate more frequent recharges, however it will operate at 4000 grains per pound of salt or higher. If you wish to turn the Salt Efficiency feature “ON” ( icon will show in display), follow the instructions on this page.

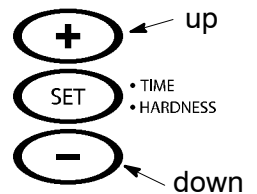
**HEAVY DUTY BACKWASH:** When set to ON, the backwash cycle of regeneration will be 10 minutes long instead of the normal 7 minute length. This is beneficial on some water supplies high in iron or sediment content. To conserve water, on clean supplies, be sure OFF shows. To change this setting, do steps 1, 2, 4, 6, 7, 8 and 10.

**SET 97% FEATURE:** By setting to On, unit will automatically recharge when 97% capacity has been used, at any time of day. To change this setting, do steps 1, 2, 4, 6, 8, 9 and 10.

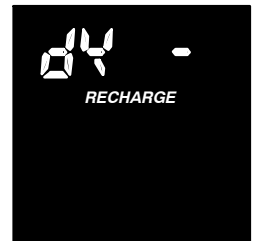
1. Beginning from the present time display, press and *hold* in the SET button until 2:00 AM begins to flash, RECHARGE TIME remains steady.



2. Press the up or down arrow to display the desired start time. The up arrow moves the time ahead; the down arrow moves the time backward. Press the SET button to select time and move to next setting.

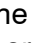


3. dY - flashes, with RECHARGE remaining steady. Pressing the up arrow will increase the number of days, the down arrow will decrease the number of days.

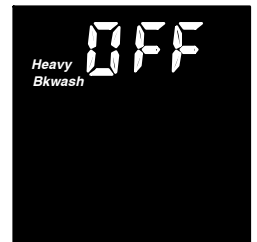


4. Press the SET button to select and move to next setting.



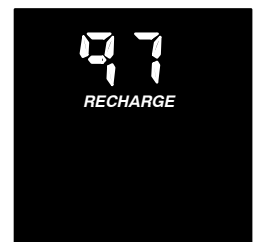
5. On flashes and the efficiency icon  shows in the lower right hand corner of the screen. Use the up or down arrows to toggle the efficiency mode either ON or OFF.

6. Press the SET button to select and move to next setting.



7. HEAVY BACKWASH and flashing OFF shows in the display. Use the up or down arrows to toggle the heavy backwash either ON or OFF.

8. Press the SET button to select and move to next setting.



9. Display toggles between 97 Recharge and OFF. Use the up or down arrows to toggle this setting either ON or OFF.

10. Press the SET button to select and return to the present time display.

## Ultra DEMAND TIMER FEATURES, SETTINGS, AND SERVICE, continued

### setting: **MODEL CODE, 12 OR 24 HOUR CLOCK, AND GALLONS OR LITERS MEASURE**

NOTE: The model code is factory set, for the model, at assembly and testing. The hour clock and water measure have factory set default values. The defaults are: 12 or 24 hour clock – 12; Gallons or liters measure – gallons. The model code should never require resetting, but to check, or to set if previously omitted, read below. The defaults are suitable for most installations. However, to make a change, read and do the following.

**MODEL CODE:** The timer must have the right model code set to operate the softener correctly. The correct code settings are:

- ▶ For models NSC30UD and NST30UD, the setting must be **PL22**.

If **A - - -** is flashing in the display, do steps 2, 3, 5 and 7.

To check for the correct code setting, and to reset if needed, do steps 1, 2, 3, 5 and 7.

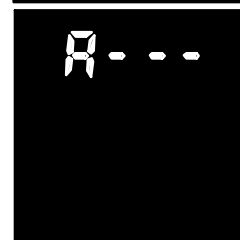
**12 OR 24 HOUR CLOCK:** With 12 hr set, all time displays are in standard clock time... 12:00AM to 11:59PM. If 24 hr is set, time displays are in military time... 0100 (1:00AM) to 0000 (midnight). To change from the 12 hr setting, do steps 1, 3, 4, 5, and 7.

**GALLONS OR LITERS MEASURE:** All water flow rate and usage displays are in gallons with the default GALS setting. If reset to litErs, the same displays are shown in liters. Use steps 1, 3, 5, 6 and 7 to change.

1. Beginning from the present time display, press and hold in the SET button until 2:00 AM (or as otherwise set), and RECHARGE TIME begins to flash.



2. Press and hold in the SET button again. Either A - - - or a previously set code will appear. If setting is needed, use the up or down arrow to set **PL-22**.



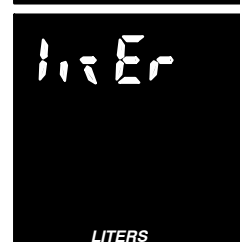
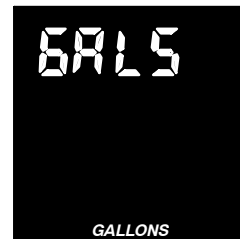
3. Press SET to select and move to next screen.

4. 12 hr flashes along with TIME. To change the display to 24 hr, use the up arrow. Use the down arrow to reset to 12 hr.



5. Press SET to select and move to next screen.

6. GALS flashes, along with GALLONS. Use the up arrow to change to the liter setting. Use the down arrow to return to the gallon setting.



7. Press the SET button a final time to return to the present time display.

**Ultra DEMAND TIMER FEATURES, SETTINGS, AND SERVICE, continued**

**feature / service: AUTOMATIC ELECTRONIC DIAGNOSTICS .....**

The timer computer has a self-diagnostic function for the electrical system (except input power and water meter). The computer monitors the electronic components and circuits for correct operation. If a malfunction occurs, an error code appears in the timer display.

The following chart shows the error codes that could appear, and possible defects for each code. While an error code is displayed, the REHCARGE and DATA buttons remain operable so you can perform the Manual Initiated Electronics Diagnostic.

|   | ERROR CODE DISPLAYED  |   |   |   |        |
|---|---|---|---|---|--------|
|   | Err 01  | Err 02  | Err 03  | Err 04  | Err 05 |
| <b>POSSIBLE DEFECT</b>  | <ul style="list-style-type: none"> <li>◆ motor inoperative</li> <li>◆ valve defect causing high torque</li> </ul> | <ul style="list-style-type: none"> <li>◆ wiring harness, or connection to switch</li> </ul> | <ul style="list-style-type: none"> <li>◆ position switch</li> </ul> | <ul style="list-style-type: none"> <li>◆ timer (PWA)</li> </ul> |        |
| <p><b>TO REMOVE AN ERROR CODE:</b> (1) unplug transformer (2) correct defect (3) plug transformer in (4) Wait for at least 12 minutes. The error code will return if the reason for the error code was not corrected.</p> |   |   |   |   |        |

**feature / service: ELECTRONIC SYSTEM PROFILE .....**

The Ultra demand timer ESP feature provides the homeowner or servicer with the latest in softener performance and electronic diagnostic technology. ESP is the transmission of electronic data from the softener timer, through a telephone, to a remote personal computer equipped to receive the data. The personal computer decodes the data and provides a detailed report of the softener's up to date performance. Some of the information ESP provides includes:

- average daily gallons of **soft** water used by the household
- average time between recharges
- days since the last recharge
- total number of recharges since start-up
- if an electrical power outage occurred, and how long it lasted
- current status of the following electrical components, and if a problem was found in a circuit
  - ★computer board
  - ★valve motor
  - ★softener water meter
  - ★wire harness
  - ★switch (valve positioning)

This report is immediately available to trained technicians. With this, they are able to determine if an electrical problem exists, based on factual, current information, and to offer expert advice if needed. A printout of this report is also available for a nominal charge. Before resorting to an ESP transmission, we ask that you first talk to a technician. Please call 1-800-972-0135 and ask for Technical Support.

## Ultra DEMAND TIMER FEATURES, SETTINGS, AND SERVICE, continued

### HOW TO SEND AN ESP TRANSMISSION

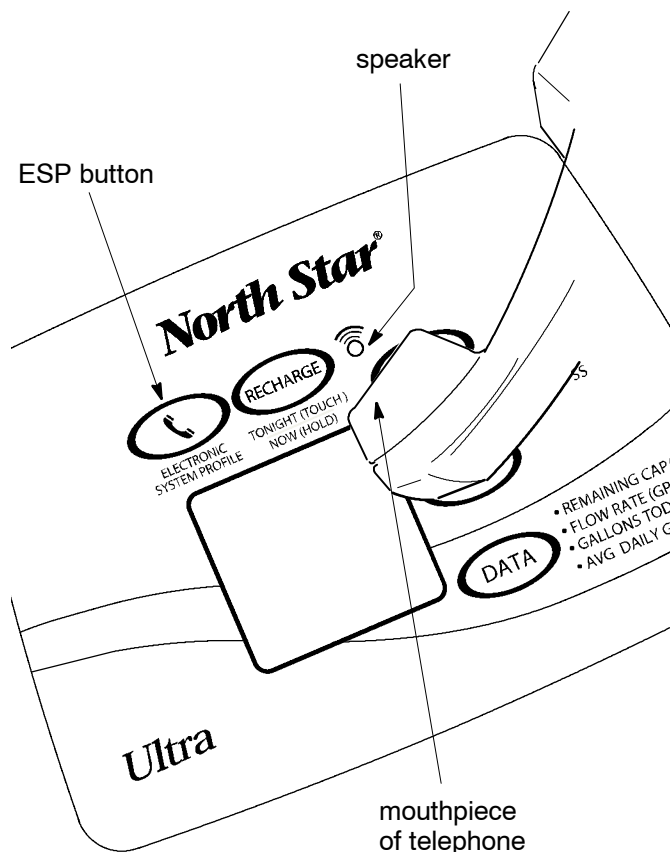
To send an ESP transmission, you must first call Technical Support at 1-800-972-0135. Describe to them the problem you are experiencing. If it is determined that an ESP transmission is needed, they will provide you with the necessary instructions.

#### Tips for sending a clear ESP transmission:

1. Hold the telephone mouthpiece about 1" from the ESP speaker on the timer faceplate.
2. Holding the telephone steady, press the ESP button. A "beeping" sound begins immediately. The transmission is complete when the beeping stops, in about 20 seconds.

**NOTE: Loud background noise may interfere with the ESP transmission.**

3. Stay on the line for further assistance.



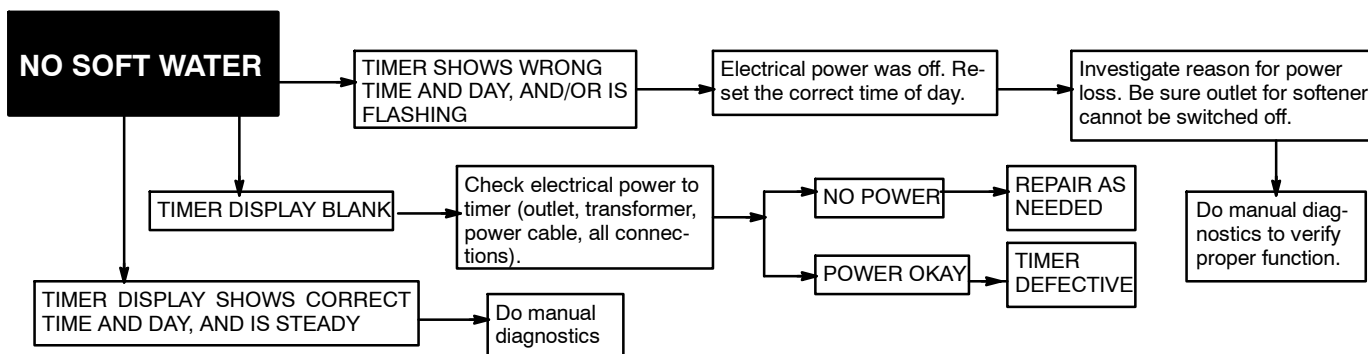
## Ultra DEMAND TIMER FEATURES, SETTINGS, AND SERVICE, continued

### service: **TIMER / SOFTENER, SERVICE CHECKOUT PROCEDURE** .....

If you are not getting soft water, and an error code is not displayed, use the procedures below to find the problem. First, make the following visual checks.

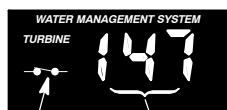
VISUAL CHECKS: (1) Is there electrical power to the outlet the softener transformer is plugged into?

(2) Is there salt in the storage tank? (3) Is the plumbing bypass valve(s) directing water for soft water service (see page 6)? (4) Is the valve drain hose open to the drain, not elevated too high, and unobstructed? If you do not find a problem with the visual checks, continue below.



### service: **MANUAL INITIATED ELECTRONICS DIAGNOSTIC** .....

1. To enter diagnostics, press and hold the DATA button until the display appears as shown here. The dY and number, in the top part of the display, is days since the last recharge. See (A) and (B) following, explaining the bottom portion of the display.



switch      turbine count  
valve position      minutes of cycle remaining



NOTE: If the softener is in the middle of a regeneration, the top part of the display shows the cycle of regeneration, and minutes of the cycle remaining. If 2 cycle names are flashing, the valve is in transition between the cycles.

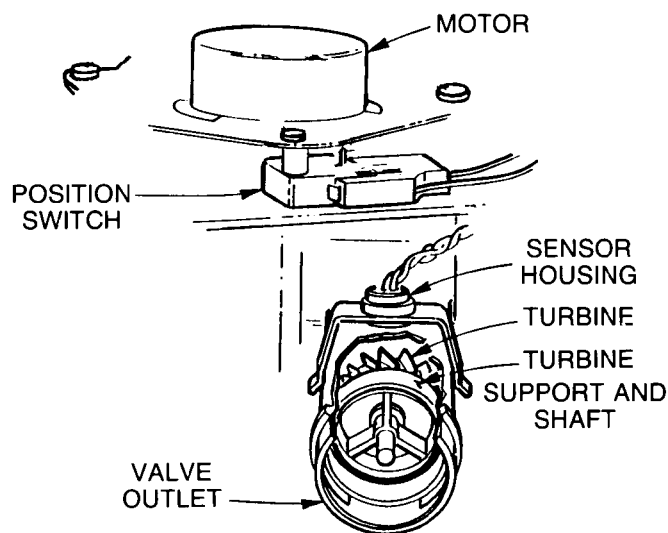
(A) The 3 digits, under WATER MANAGEMENT SYSTEM, indicate water meter operation as follows:

◆ 000 (steady) = soft water not in use...no flow through the meter.

— OPEN A NEARBY SOFT WATER FAUCET —

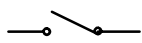
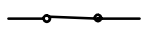
◆ 000 to 199 (continual) = repeats display for each gallon of water passing through the meter.

If you don't get a reading in the display, with faucet open, pull the sensor from the valve outlet port. Pass a small magnet back and forth in front of the sensor. You should get a reading in the display. If you get a reading, unhook the in and out plumbing and check the turbine for binding.



## Ultra DEMAND TIMER FEATURES, SETTINGS, AND SERVICE, continued

(B) This display segment (→↗), in the following table, indicates an open POSITION switch. The other indicates a closed switch. Use the RECHARGE button to manually advance the valve into each cycle and check correct switch operation.

| CORRECT SWITCH DISPLAYS   | VALVE CYCLE STATUS   |
|---|--|
|  | Valve in service, fill, brining, back-wash or fast rinse position. |
|  | Valve rotating from one position to another.                       |

### service: MANUAL ADVANCE REGENERATION CHECK .....

This check verifies proper operation of the valve motor, brine tank fill, brine draw, regeneration flow rates, and other timer - valve functions. **First, make the initial checks, and the manual initiated diagnostics.**

**NOTE:** The face plate display must show a steady time (not flashing).

1. Press the RECHARGE button and *hold* in for three seconds. RECHARGE NOW begins to flash as the softener enters the fill cycle of regeneration. Remove the brinewell cover and, using a flashlight, observe fill water entering the brine tank.

▶ If water **does not** enter the tank, look for an obstructed nozzle, venturi, fill flow plug, brine tubing, or brine valve riser pipe.

2. After observing fill, press the RECHARGE button to move the softener into brining. A slow flow of water to the drain will begin. Verify brine draw from the brine tank by shining a flashlight into the brinewell and observing a noticeable drop in the liquid level.

**NOTE:** Be sure a salt bridge is not preventing water with salt contact.

▶ If the softener does not draw brine...  
 ...nozzle and/or venturi dirty or defective.  
 ...nozzle and venturi not seated properly on gasket.  
 ...restricted drain (check drain fitting and hose).  
 ...defective nozzle and venturi seal.  
 ...other inner valve defect (rotor seal, rotor & disc, wave washer, etc.).

2. Press the DATA button again. This diagnostic display, shows the total number of *recharges* (top) since the timer was connected to electrical power.



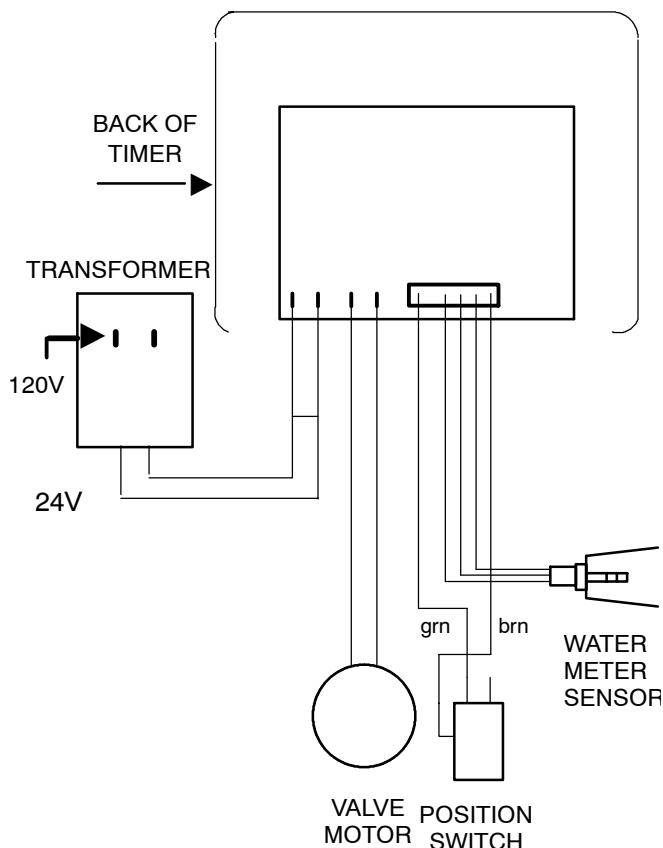
The number of *days* since the timer was connected to electrical power, is shown in the bottom part of the display. If over 1999 days, a (x 10) indicator shows, meaning you must multiply the number shown times 10.

3. Press DATA once again to return the present time to the display.

3. Press RECHARGE to move the softener into fast rinse. Again look for a fast drain flow. Allow the softener to rinse for a few minutes to flush out any brine that may remain in the resin tank from the brining cycle test.

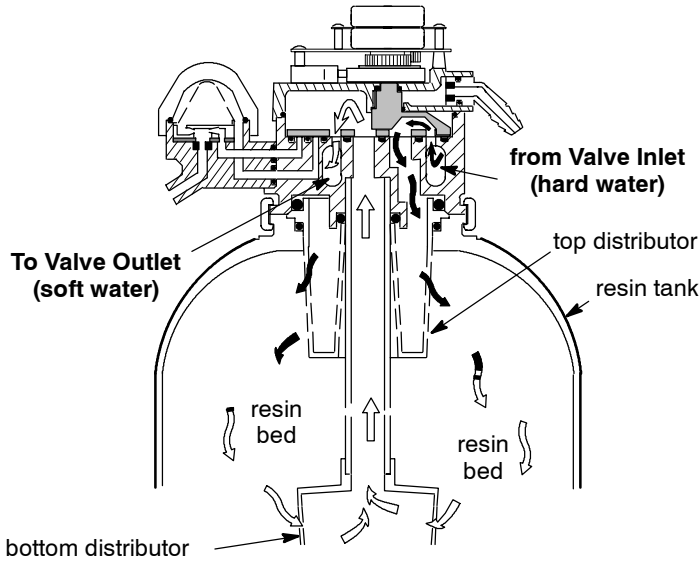
4. To return the softener to service, press RECHARGE .

### WIRING SCHEMATIC

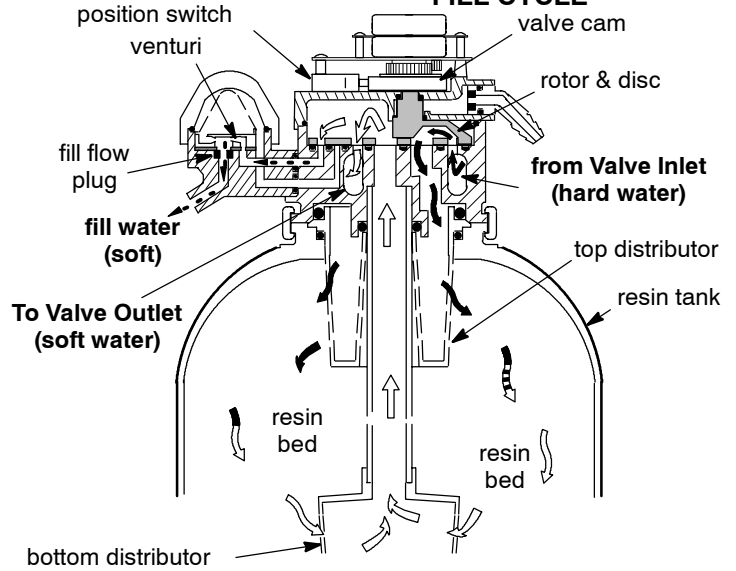


## WATER FLOW THROUGH VALVE

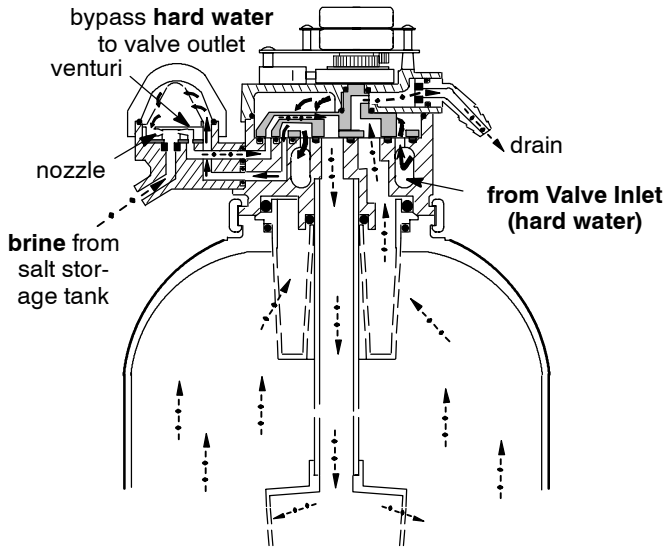
**SERVICE CYCLE**



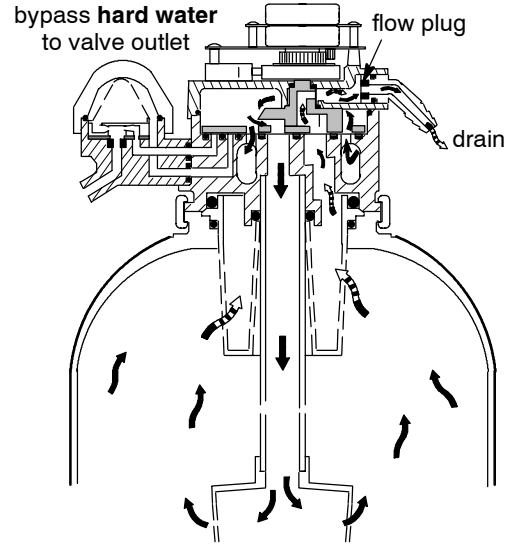
**FILL CYCLE**



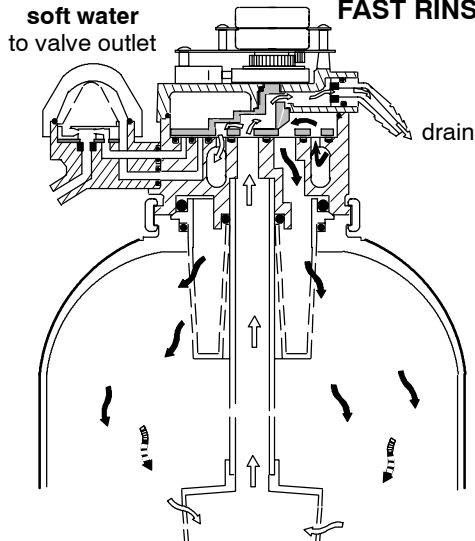
**BRINING and BRINE RINSE CYCLES**



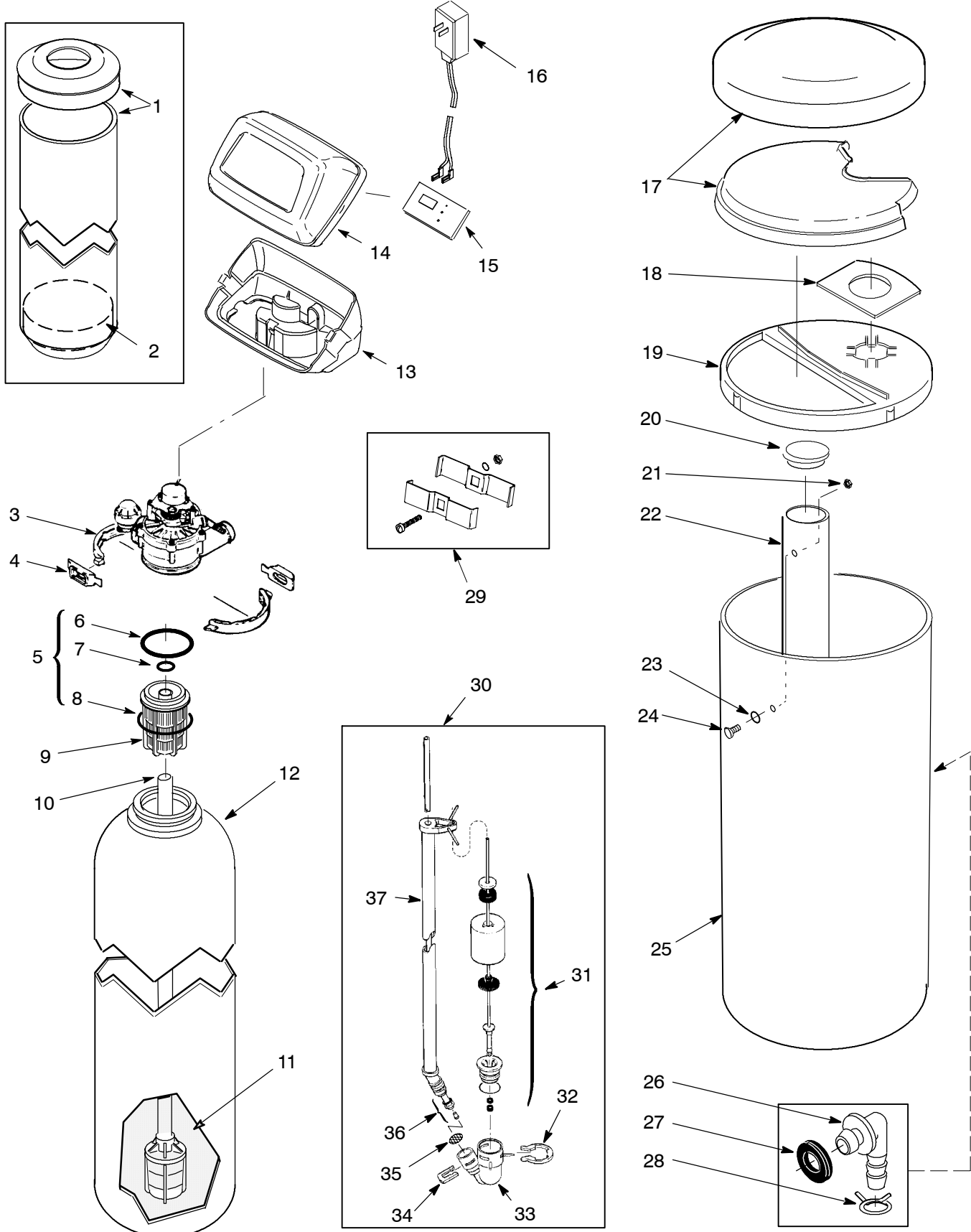
**BACKWASH CYCLE**



**FAST RINSE CYCLE**



**REPAIR PARTS**

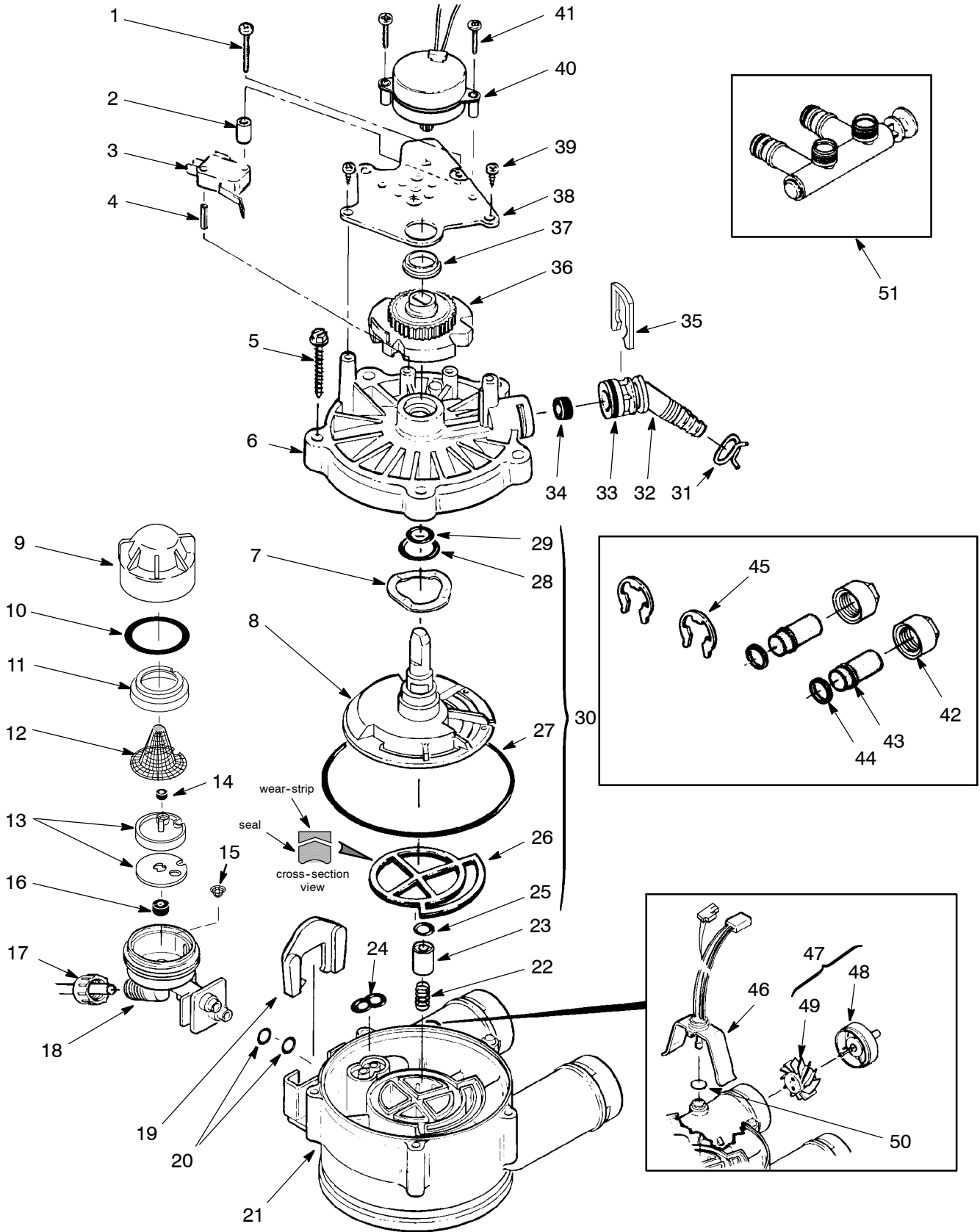


**REPAIR PARTS**

| KEY NO. | PART NO. | DESCRIPTION OF PART                      | KEY NO. | PART NO. | DESCRIPTION OF PART          |
|---------|----------|--|---------|----------|------------------------------|
| 1       | 7112971  | Shroud (includes Key No. 2) - NST model  | 18      | 7163689  | Vapor Barrier - NSC model    |
| 2       | 7026196  | Base - NST model                         | 19      | 7178626  | Rim - NSC model              |
| 3       | 7176292  | Clamp Section (2)                        | 20      | 7155115  | Brinewell Cover              |
| 4       | 7088033  | Clamp Retainer (2)                       | 21      | 7082150  | Wing Nut, 1/4 - 20           |
| 5       | 7112963  | O-ring Seal Kit                          | 22      | 7100819  | Brinewell                    |
| 6       | --       | O-ring Seal, 2-7/8 in. x 3-1/4 in.       | 23      | 7003847  | O-ring                       |
| 7       | --       | O-ring Seal, 13/16 in. x 1-1/16 in.      | 24      | 7148875  | Screw, 1/4 - 20 Nylon        |
| 8       | --       | O-ring Seal, 2-3/4 in. x 3 in.           | 25      | 7161831  | Repl. Brine Tank - NSC model |
| 9       | 7077870  | Top Distributor                          | -       | 7112612  | Repl. Brine Tank - NST model |
| 10      | 7105047  | Repl. Bottom Distributor                 | 26      | 1103200  | Hose Adaptor                 |
| 11      | 0501741  | Resin, 26-1/2 lbs (1/2 cu ft)            | 27      | 9003500  | Grommet                      |
| -       | 0502272  | Resin, 53 lbs (1 cu ft)                  | 28      | 0900431  | Hose Clamp                   |
| 12      | 7113058  | Resin Tank, 8 in. dia x 40 in.           | 29      | 7248706  | Ground Clamp Kit             |
| 13      | 7180314  | Bottom Cover                             | 30      | 7116488  | Brine Valve Assembly         |
| 14      | 7198032  | Faceplate Cover (also order decal below) | 31      | 7113008  | Float, Stem & Guide Assembly |
| -       | 7267352  | Decal, Faceplate                         | 32      | 1205500  | Clip                         |
| 15      | 7285619  | Timer (PWA)                              | 33      | 7092252  | Brine Valve Body             |
| 16      | 7275907  | Transformer                              | 34      | 7080653  | Clip                         |
| 17      | 7192785  | Salt Cover - NSC model                   | 35      | 7131365  | Screen                       |
| -       | 7180437  | Brine Tank Cover - NST model             | 36      | 7113016  | Tubing Assembly              |
|         |          |  | 37      | 7095470  | Brine Tube                   |
|         |          |  | ◆       | 7139999  | Drain Hose (not illustrated) |

◆ not illustrated.

## REPAIR PARTS



## REPAIR PARTS

| KEY NO. | PART NO. | DESCRIPTION OF PART                                  | KEY NO. | PART NO. | DESCRIPTION OF PART                  |
|---------|----------|--|---------|----------|--------------------------------------|
| 1       | 7070412  | Screw, #4 - 24 x 1-1/8 in.                           | 27      | --       | O-ring Seal, 3-3/8 in. x 3-5/8 in.   |
| 2       | 7117816  | Spacer   | 28      | --       | O-ring Seal, 3/4 in. x 15/16 in.     |
| 3       | 7030713  | Switch   | 29      | --       | O-ring Seal, 7/16 in. x 5/8 in.      |
| 4       | 7077472  | Expansion Pin  | 30      | 7129716  | Seal Kit - Includes Key Nos. 24 - 29 |
| 5       | 7074123  | Screw, #10 14 x 2 in. (5)                            | 31      | 0900431  | Hose Clamp                           |
| 6       | 7085263  | Valve Cover  | 32      | 7024160  | Drain Hose Adaptor                   |
| 7       | 7082087  | Wave Washer  | 33      | 7170327  | O-ring Seal, 5/8 in. x 13/16 in.     |
| 8       | 7199232  | Rotor & Disc   | 34      | 0501228  | Flow Plug, Bkw. and F. Rinse control |
| 9       | 7199729  | Cap  | 35      | 7142942  | Clip                                 |
| 10      | 7170262  | O-ring Seal, 1.1 in. x 1.4 in.                       | 36      | 7284964  | Cam and Gear                         |
| 11      | 7167659  | Screen Support                                       | 37      | 0503288  | Bearing                              |
| 12      | 7146043  | Screen   | 38      | 7288112  | Motor Plate                          |
| 13      | 7187772  | Nozzle & Venturi, with Gasket Kit                    | 39      | 0900857  | Screw, #6 - 20 x 3/8 in. (2)         |
| -       | 7204362  | Gasket (only)  | 40      | 7133008  | Motor - Includes Key No. 41          |
| 14      | 0521829  | Flow Plug  | 41      | 7131755  | Screw, #6 - 20 x 7/8 in. (2)         |
| 15      | 7095030  | Cone Screen  | 42      | 0507369  | Installation Nut (2)                 |
| 16      | 1148800  | Fill Flow Plug                                       | 43      | 0507615  | Installation Tube (2)                |
| 17      | 1202600  | Nut-Ferrule  | 44      | 7170335  | Washer (2)                           |
| -       | 7187065  | Nozzle & Venturi Assembly - Includes Key Nos. 9 - 16 | 45      | 7116713  | Clip (2)                             |
| 18      | 7081104  | Housing, Nozzle & Venturi                            | 46      | 7276076  | Sensor Housing/Wiring Assembly       |
| 19      | 7081201  | Retainer   | 47      | 7113040  | Turbine and Support Assembly         |
| 20      | 7170319  | O-ring Seal, 1/4 in. x 3/8 in. (2)                   | 48      | --       | Turbine Support                      |
| 21      | 7082053  | Valve Body   | 49      | --       | Turbine                              |
| 22      | 7129889  | Spring   | 50      | 0900060  | O-ring Seal                          |
| 23      | 7092642  | Plug (Drain Seal)                                    | 51      | 7129871  | Bypass Valve                         |
| 24      | --       | Seal (Nozzle & Venturi)                              |         |          |                                      |
| 25      | --       | O-ring Seal, 3/8 in. x 9/16 in.                      |         |          |                                      |
| 26      | --       | Rotor Seal   |         |          |                                      |



**NOTES**



**NOTES**

## PARTS RETURN TAGS

If you have a defective part or assembly under warranty, please fill in a parts return tag. Cut out the tag and include it with the defective part when you return it to the place where you purchased the conditioner. ***To avoid destroying the repair parts information on the reverse side of this page, make a duplicate copy of the return tags to use.***

|  |  |
|--|--|
| <p style="text-align: center;"><b>PARTS RETURN TAG</b></p> <hr/> <p style="text-align: center;">CUSTOMER'S NAME</p> <hr/> <p style="text-align: center;">STREET ADDRESS</p> <hr/> <p style="text-align: center;">CITY                      STATE                      ZIP CODE</p> <hr/> <p>CONDITIONER MODEL NUMBER      SERIAL NUMBER</p> <hr/> <p>DATE PURCHASED                      DATE PART FAILED</p> <hr/> <p style="text-align: center;">NORTH STAR<br/>1890 WOODLANE DRIVE<br/>WOODBURY, MN 55125</p> | <p style="text-align: center;"><b>PARTS RETURN TAG</b></p> <hr/> <p style="text-align: center;">CUSTOMER'S NAME</p> <hr/> <p style="text-align: center;">STREET ADDRESS</p> <hr/> <p style="text-align: center;">CITY                      STATE                      ZIP CODE</p> <hr/> <p>CONDITIONER MODEL NUMBER      SERIAL NUMBER</p> <hr/> <p>DATE PURCHASED                      DATE PART FAILED</p> <hr/> <p style="text-align: center;">NORTH STAR<br/>1890 WOODLANE DRIVE<br/>WOODBURY, MN 55125</p> |
| <p style="text-align: center;"><b>PARTS RETURN TAG</b></p> <hr/> <p style="text-align: center;">CUSTOMER'S NAME</p> <hr/> <p style="text-align: center;">STREET ADDRESS</p> <hr/> <p style="text-align: center;">CITY                      STATE                      ZIP CODE</p> <hr/> <p>CONDITIONER MODEL NUMBER      SERIAL NUMBER</p> <hr/> <p>DATE PURCHASED                      DATE PART FAILED</p> <hr/> <p style="text-align: center;">NORTH STAR<br/>1890 WOODLANE DRIVE<br/>WOODBURY, MN 55125</p> | <p style="text-align: center;"><b>PARTS RETURN TAG</b></p> <hr/> <p style="text-align: center;">CUSTOMER'S NAME</p> <hr/> <p style="text-align: center;">STREET ADDRESS</p> <hr/> <p style="text-align: center;">CITY                      STATE                      ZIP CODE</p> <hr/> <p>CONDITIONER MODEL NUMBER      SERIAL NUMBER</p> <hr/> <p>DATE PURCHASED                      DATE PART FAILED</p> <hr/> <p style="text-align: center;">NORTH STAR<br/>1890 WOODLANE DRIVE<br/>WOODBURY, MN 55125</p> |